

**Design acc. :**

**AD 2000 A4**

**ATEX 2014/34/EU**

**EN 14341**

**Face to face : DIN EN558-1.**

**Flange end : EN1092-1 Form B1.**

**Test acc. : EN12266.**

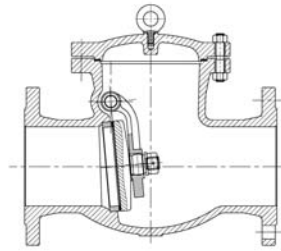
**TA-Luft Gasket**

**Temperature range :**

**-29°C~ +425°C(1.0619N)**

**-196°C~ +400°C(1.4408)**

**Body : 1.0619N /1.4408**



**FIG : 451**

**FIG : 451**

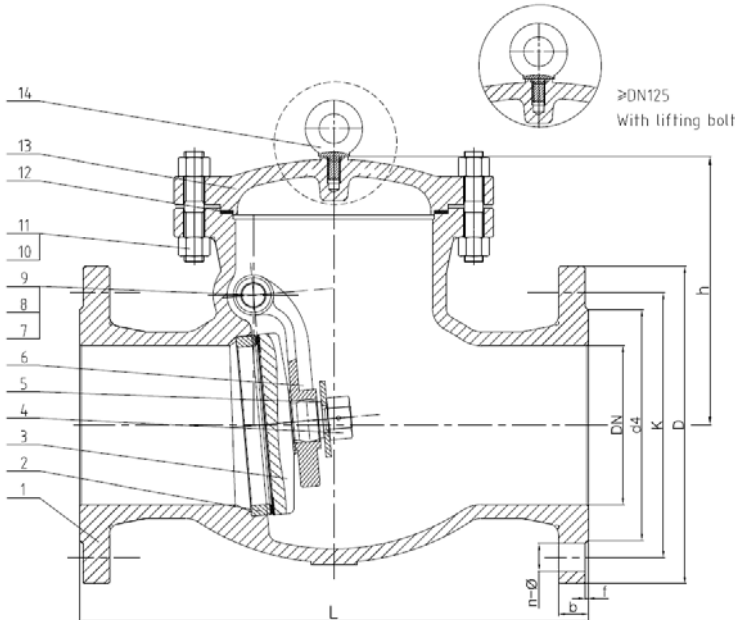


FIG.	Pressure	Material	Range
132.451	PN10	1.0619N	DN40-DN150
133.451	PN16	1.0619N	DN40-DN150
134.451	PN25	1.0619N	DN40-DN150
135.451	PN40	1.0619N	DN40-DN150
152.451	PN10	1.4408	DN40-DN150
153.451	PN16	1.4408	DN40-DN150
154.451	PN25	1.4408	DN40-DN150
155.451	PN40	1.4408	DN40-DN150

Design acc. :  
 AD 2000 A4/ ATEX 2014/34/EU/ EN 14341  
 Face to face : EN558-1.  
 Flange end : EN1092-1 Form B1.  
 Test acc. : EN12266.  
 TA-Luft Gasket  
 Temperature range :  
 -29°C~ +425°C(1.0619N)  
 -196°C~ +400°C(1.4408)

**Material list**

NO.	Part	Material	
		FIG. 152.451 / 153.451 / 154.451 / 155.451	FIG. 132.451 / 133.451 / 134.451 / 135.451
1	Body	1.4408	1.0619N
2	Seat	1.4408	C22.8+13Cr
3	Flap	1.4408	1.0619N+13Cr
4	Nut	A4	35
5	Gasket	1.4401	35
6	Flap lever	1.4408	1.0619N
7	Shaft	1.4401	1.4021
8	Plug	1.4401	1.4021
9	Gasket	1.4401	1.4401
10	Stud bolt	A4-70/A2-70	1.7225(GC)
11	Nut	A4-70/A2-70	1.1181(YK)
12	Gasket	TA-Luft Gasket	TA-Luft Gasket
13	Cover	1.4408	1.0619N
14	Bolt	A2	35

**Dimension List**

PN	DN	D	K	d4	L	h	A	n	d2	b	f	kg
10/16	40	150	110	88	180	135	130	4	18	18	3	11.0
	50	165	125	102	200	160	145	4	18	18	3	16.8
	65	185	145	122	240	165	180	4	18	18	3	23.1
	80	200	160	138	260	180	195	8	18	20	3	26.3
	100	220	180	158	300	210	225	8	18	20	3	38.9
	125	250	210	188	350	240	265	8	18	22	3	59.9
	150	285	240	212	400	265	310	8	22	22	3	87.2
25	65	185	145	122	290	175	185	8	18	22	3	23.8
	80	200	160	138	310	190	205	8	18	24	3	27.1
	100	235	190	162	350	220	240	8	22	24	3	40.1
	125	270	220	188	400	240	265	8	26	26	3	61.7
	150	300	250	218	480	260	300	8	26	28	3	89.8
40	40	150	110	88	200	140	145	4	18	18	3	13.1
	50	165	125	102	230	160	165	4	18	20	3	17.9
	65	185	145	122	290	175	185	8	18	22	3	25.2
	80	200	160	138	310	190	205	8	18	24	3	33.6
	100	235	190	162	350	220	240	8	22	24	3	49.4
	125	270	220	188	400	240	265	8	26	26	3	65.1
	150	300	250	218	480	260	300	8	26	28	3	99.2

Edit: FengChunyan  
 Suzhou Fleu valve Co.Ltd  
 No.767 Huagang Road

Checking: WangHuanyu  
 Tel : 0086 512 63430669  
 Fax : 0086 512 63409789

Approved: ZWS  
 Date: 19.Feb.2021  
 E-mail : szsales@fleu-valve.com  
 http : //www.fleu-valve.com

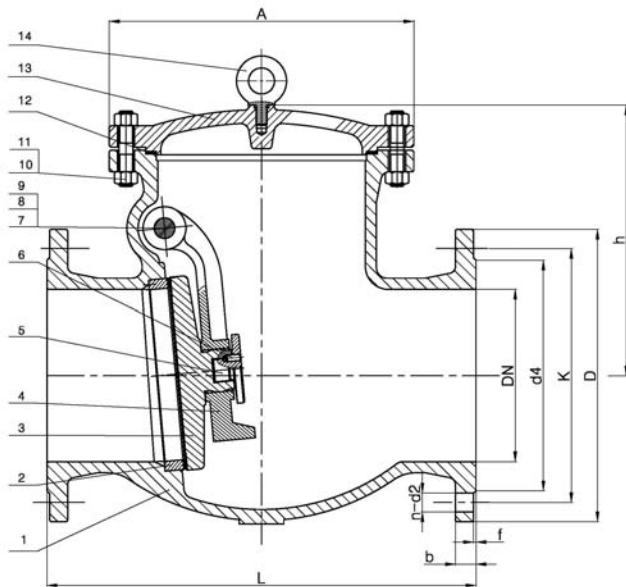


FIG.	Pressure	Material	Range
132.451	PN10	1.0619N	DN200-DN600
133.451	PN16	1.0619N	DN200-DN600
152.451	PN10	1.4408	DN200-DN600
153.451	PN16	1.4408	DN200-DN600

**Design acc. :**  
 AD 2000 A4 / ATEX 2014/34/EU / EN 14341  
**Face to face : EN558-1.**  
**Flange end : EN1092-1 Form B1.**  
**Test acc. : EN12266.**  
**TA-Luft Gasket**  
**Temperature range :**  
 -29°C ~ +425°C (1.0619N)  
 -196°C ~ +400°C (1.4408)

**Material list**

NO.	Part	Material	
		FIG. 152.451 / 153.451	FIG. 132.451 / 133.451
1	Body	1.4408	1.0619N
2	Seat	1.4408	C22.8+13Cr
3	Flap	1.4408	1.0619N+13Cr
4	Flap lever	1.4408	1.0619N
5	Disc nut	1.4401	35
6	Set screw	A4	1.7225(GC)
7	Shaft	1.4401	1.4021
8	Plug	1.4401	1.4021
9	Gasket	1.4401	1.4401
10	Stud bolt	A4-70/A2-70	1.7225(GC)
11	Nut	A4-70/A2-70	1.1181(YK)
12	Gasket	TA-Luft Gasket	TA-Luft Gasket
13	Cover	1.4408	1.0619N
14	Bolt	A2	35

**Dimension List**

PN	DN	D	K	d4	L	h	A	n	d2	b	f	kg
10	200	340	295	268	500	320	380	8	22	24	3	164
	250	395	350	320	600	335	425	12	22	26	3	211
	300	445	400	370	700	390	470	12	22	26	4	322
	350	505	460	430	800	--	--	16	22	26	4	483
	400	565	515	482	900	--	--	16	26	26	4	725
	500	670	620	585	1100	--	--	20	26	28	4	1160
	600	780	725	685	1300	--	--	20	30	34	5	1856
16	200	340	295	268	500	320	380	12	22	24	3	165
	250	405	355	320	600	335	425	12	26	26	3	214
	300	460	410	378	700	390	470	12	26	32	4	327
	350	520	470	438	800	--	--	16	26	30	4	491
	400	580	525	490	900	--	--	16	30	32	4	737
	500	715	650	610	1100	--	--	20	33	44	4	1180
	600	840	770	725	1300	--	--	20	36	54	5	1888

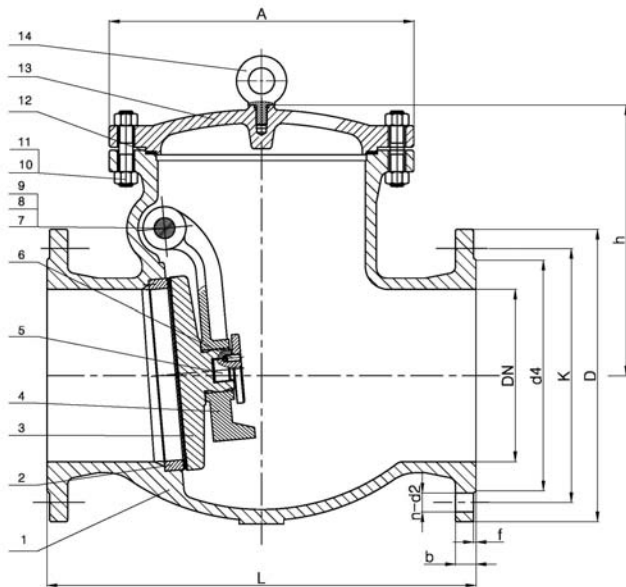


FIG.	Pressure	Material	Range
134.451	PN25	1.0619N	DN200-DN600
135.451	PN40	1.0619N	DN200-DN600
154.451	PN25	1.4408	DN200-DN600
155.451	PN40	1.4408	DN200-DN600

**Design acc. :**  
**AD 2000 A4**  
**ATEX 2014/34/EU**  
**EN 14341**  
**Face to face : EN 558-1.**  
**Flange end : EN1092-1 Form B1.**  
**Test acc. : EN12266.**  
**TA-Luft Gasket**  
**Temperature range :**  
**-29°C~ +425°C(1.0619N)**  
**-196°C~ +400°C(1.4408)**

**Material list**

NO.	Part	Material	
		FIG. 154.451 / 155.451	FIG. 134.451 / 135.451
1	Body	1.4408	1.0619N
2	Seat	1.4408	C22.8+13Cr
3	Flap	1.4408	1.0619N+13Cr
4	Flap lever	1.4408	1.0619N
5	Disc nut	1.4401	35
6	Set screw	A4	1.7225(GC)
7	Shaft	1.4401	1.4021
8	Plug	1.4401	1.4021
9	Gasket	1.4401	1.4401
10	Stud bolt	A4-70/A2-70	1.7225(GC)
11	Nut	A4-70/A2-70	1.1181(YK)
12	Gasket	TA-Luft Gasket	TA-Luft Gasket
13	Cover	1.4408	1.0619N
14	Bolt	A2	35

**Dimension List**

PN	DN	D	K	d4	L	h	A	n	d2	b	f	kg
25	200	360	310	278	600	350	380	12	26	30	3	179
	250	425	370	335	730	370	410	12	30	32	3	227
	300	485	430	395	850	440	480	16	30	34	4	344
	350	555	490	450	980	--	--	16	33	38	4	516
	400	620	550	505	1100	--	--	16	36	40	4	774
	500	730	660	615	1250	--	--	20	36	48	4	1239
	600	845	770	720	1450	--	--	20	39	58	5	1982
40	200	375	320	285	600	350	380	12	30	34	3	193
	250	450	385	345	730	370	410	12	33	38	3	278
	300	515	450	410	850	440	480	16	33	42	4	438
	350	580	510	465	980	--	--	16	36	46	4	657
	400	660	585	535	1100	--	--	16	39	50	4	986
	500	755	670	615	1250	--	--	20	42	57	4	1479
	600	890	795	735	1450	--	--	20	48	72	5	2367